

## I4COUPLUSB3IP68

IP68 USB 3.0 COUPLER

### + BENEFITS

- IP68 protection level suitable to harsh environments : dustproof & waterproof
- USB 3.0 type A-A connector
- 1/4 turn waterproof lock



IP 68



## DESCRIPTION / APPLICATIONS

- USB 3.0 coupler, female type A to female type A
- Allows existing USB waterproof link extension
- Suitable to harsh environments (industrial, outdoor, ...)
- IP68 protection rating

## NORMS

- Universal Serial Bus 3.0 specification
- USB Type-A connector

## ENVIRONMENTAL PROPERTIES

**OPERATING TEMPERATURE :**  
-25°C to +50°C

**CONFORME :**  
RoHS and REACH

## ELECTRICAL PROPERTIES

**CURRENT :**

25 mA

**CONTACT RESISTANCE:**

10 mΩ

**INSULATION RESISTANCE :**

100 MΩ

**DIELECTRIC WITHSTAND VOLTAGE:**

100V

**OPERATIONAL VOLTAGE :**

30V

## MECHANICAL / TECHNICAL PROPERTIES

**COATING:**

Plastic ring : PA 66

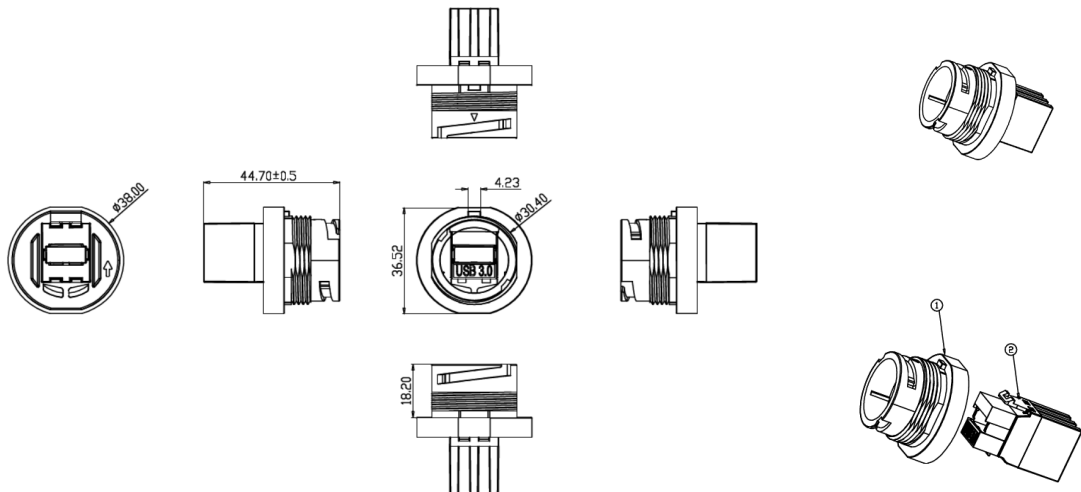
Connector : Zn+Ni alloy

**INSERTION CYCLE : 750 cycles**

## PERFORMANCES

SYSTEM	APPLICATION
USB 3 Type A	USB 3 up to 7.5GHz

## DRAWINGS



## ORDER INFORMATION

P/N	DESCRIPTION	PACKAGING
I4COUPLUSB3IP68	IP68 USB 3.0 coupler	Unit

## ASSOCIATED PRODUCTS



**I4USB3IP68**  
IP68 Plug USB 3.0



**I4CAPPLUG**  
IP68 coupler or connector cap