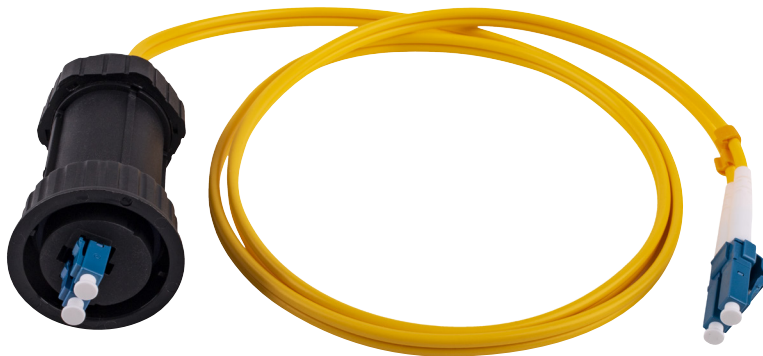


## I4FOJARLCIP68

IP68 SINGLE MODE LC/LC DUPLEX UPC OPTICAL JUMPER

### + BENEFITS

- IP68 protection level suitable to harsh environments : dustproof & waterproof
- 1/4 turn waterproof lock
- Toolless field assembly : Easy and quick to wire



## DESCRIPTION / APPLICATIONS

- IP68 protection rating
- Suitable to harsh environments (industrial, outdoor, ...)
- Easy and quick to wire
- 1 meter 9/125 singlemode OFNR riser LC/LC Duplex UPC jumper included
- Suitable with jumpers LC Duplex format from MMC range

## NORMS

- TIA/EIA 604-3

## ENVIRONMENTAL PROPERTIES

### OPERATING TEMPERATURE :

-25°C to +50°C

### CONFORM :

RoHS and REACH

MECHANICAL / TECHNICAL PROPERTIES

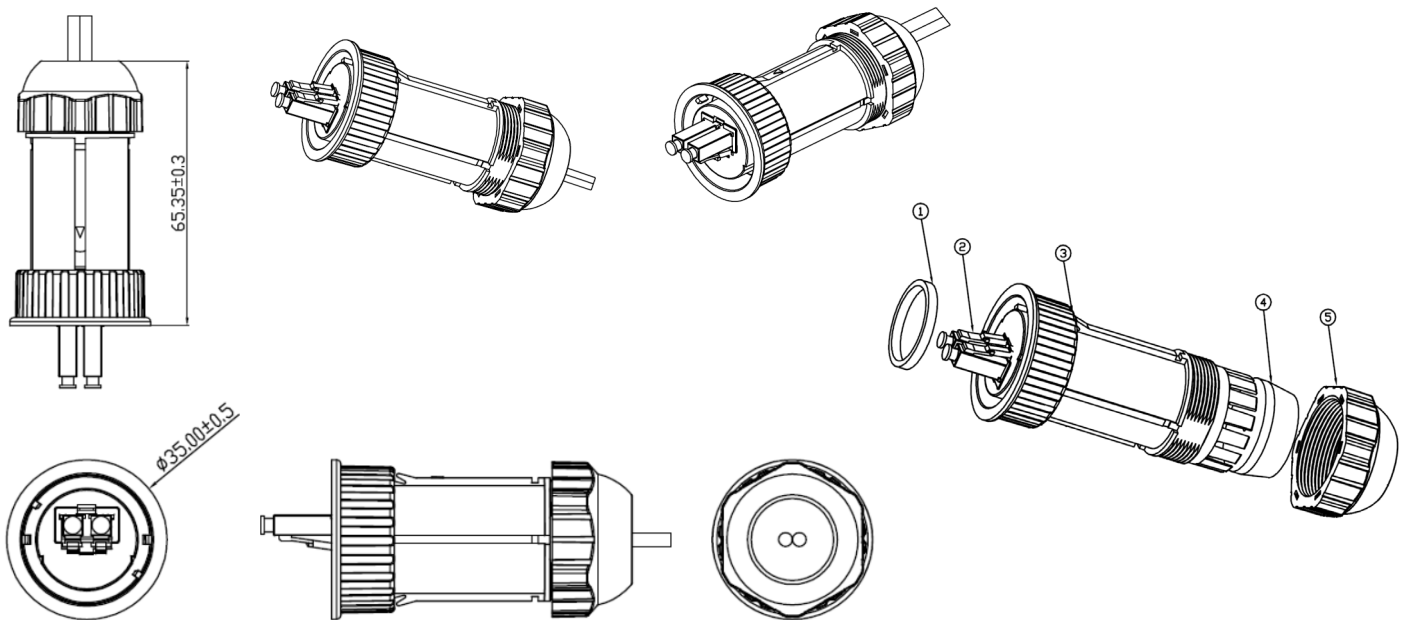
**COATING :** PA66

**DUPLEX OPTICAL JUMPER with dual cables Ø 2.8mm**

**INSERTION CYCLE :** 500 cycles

**HOUSING :** white and numbered rings

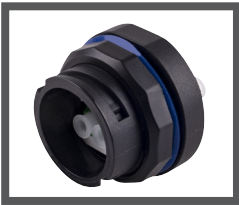
DRAWING



## ORDER INFORMATION

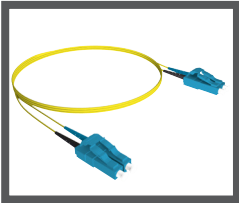
P/N	DESCRIPTION	PACKAGING
I4FOJARIP68	IP68 Single mode LC/LC Duplex UPC optical jumper	Unit

## ASSOCIATED PRODUCTS



**I4FOPANLC68**

IP68 Singlemode LC/LC duplex UPC optical feedthrough - panel assembly



Single or multimode LC duplex optical jumpers



**I4FOTRAVLC68**

IP68 Singlemode LC/LC duplex UPC field optical feedthrough- field assembly