

I4FOPANLCIP68

IP68 SINGLEMODE LC/LC DUPLEX UPC OPTICAL FEEDTHROUGH - PANNEL ASSEMBLY

+ BENEFITS

- IP68 protection level suitable to harsh environments : dustproof & waterproof
- 1/4 turn waterproof lock
- Toolless field assembly : Easy and quick to wire
- Suitable with LC duplex FlangeLess feedthrough format from MMC range



DESCRIPTION / APPLICATIONS

- IP68 protection rating
- Suitable to harsh environments (industrial, outdoor, ...)
- Easy and quick to wire
- Toolless assembly on pannel or on I4BOXIP67xC waterproof boxes
- LC/LC duplex UPC feedthrough included
- Suitable with LC duplex FlangeLess feedthrough format from MMC range

NORMS

- TIA/EIA 604-3

ENVIRONMENTAL PROPERTIES

OPERATING TEMPERATURE :

-25°C to +50°C

CONFORM :

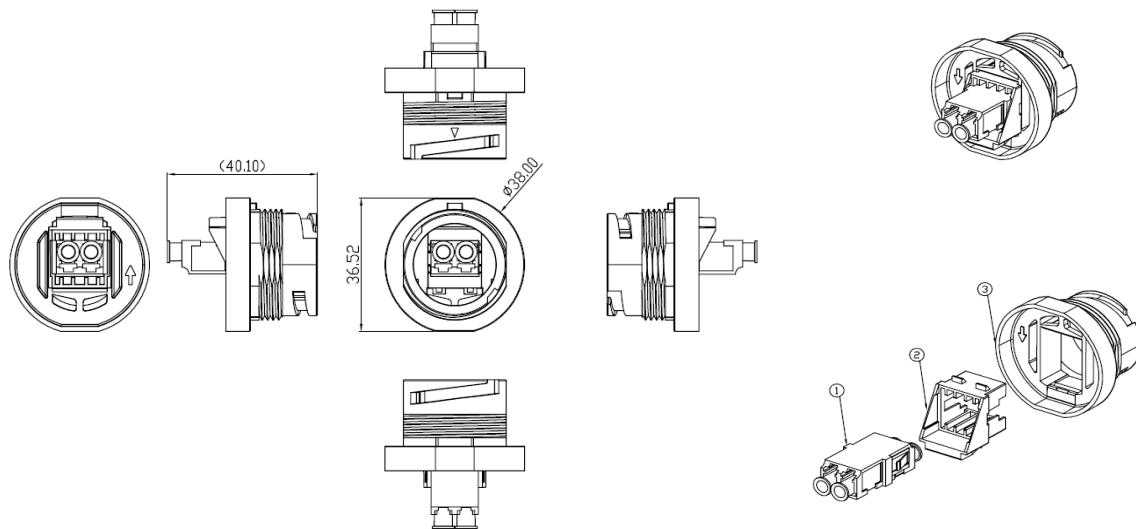
RoHS and REACH

MECHANICAL / TECHNICAL PROPERTIES

COATING : PBT+15%FG

INSERTION CYCLE : 500 cycles

DRAWINGS



ORDER INFORMATION

P/N	DESCRIPTION	PACKAGING
I4FOPANIP68	IP68 Singlemode LC/LC duplex UPC optical feedthrough - pannel assembly	Unit

ASSOCIATED PRODUCTS



I4FOJARLC68

IP68 Single mode LC/LC Duplex UPC optical jumper



I4CAPRJ

IP68 coupler or connector cap



I4BOXIP67xC

IP67 boxes for one or two connectors