

## I4FOTRAVLCIP68

IP68 SINGLEMODE LC/LC DUPLEX UPC FIELD OPTICAL FEEDTHROUGH - FIELD ASSEMBLY

### + BENEFITS

- IP68 protection level suitable to harsh environments : dustproof & waterproof
- 1/4 turn waterproof lock
- Toolless field assembly : Easy and quick to wire



## DESCRIPTION / APPLICATIONS

- IP68 protection rating
- Suitable to harsh environments (industrial, outdoor, ...)
- Easy and quick to wire
- Allows existing LC/LC OS2 singlemode UPC optical link extension

## NORMS

- TIA/EIA 604-3

## ENVIRONMENTAL PROPERTIES

### OPERATING TEMPERATURE :

-25°C to +50°C

### CONFORM :

RoHS and REACH

MECHANICAL / TECHNICAL PROPERTIES

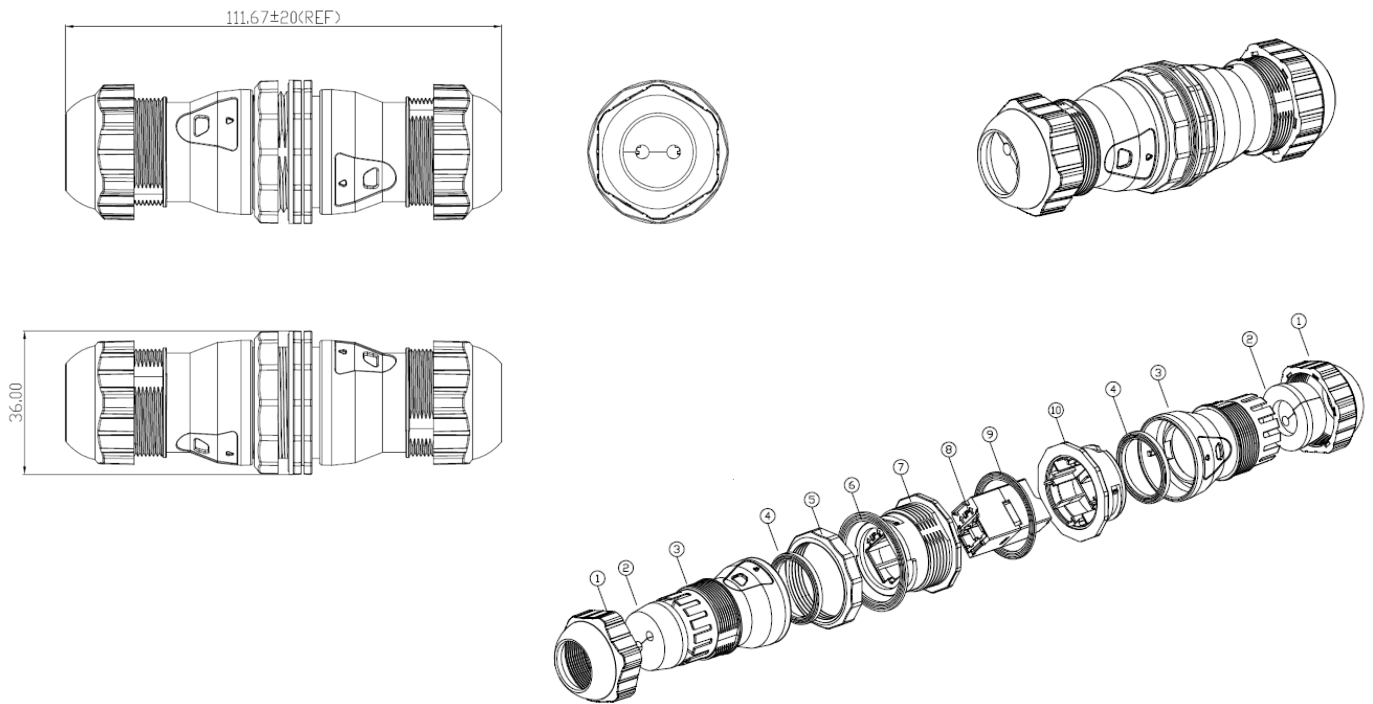
**COATING:** PA66

**INSERTION CYCLE :** 500 cycles

**FERRULE :** ZR02 Zirconium-ceramique

**ØEXT OF CENTERING :** 1.25mm

DRAWINGS



## ORDER INFORMATION

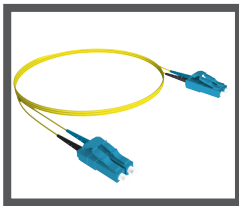
P/N	DESCRIPTION	PACKAGING
<b>I4FOTRAVLCIP68</b>	IP68 Singlemode LC/LC duplex UPC field optical feedthrough - field assembly	Unit

## ASSOCIATED PRODUCTS



**I4FOJARLC68**

IP68 Single mode LC/LC Duplex UPC optical jumper



Single or multimode LC duplex optical jumpers