

I4T6AFSIP68

IP68 CAT6A RJ45 TOOLLESS FIELD CONNECTOR

+ AVANTAGES

- IP68 protection level suitable to harsh environments : dustproof & waterproof
- 1/4 turn waterproof lock
- Easy and quick to wire



DESCRIPTION / APPLICATIONS

- Excellent protection against electromagnetic interference thanks to 360° Zamak shielding
- IP68 waterproof body equipped with a sealing gasket:
allows the connection of twisted pair cable in harsh environments
- IP68 RJ45 Cat6A toolless connector : quick and easy wiring
- Stand-alone solution : direct field use and laying

NORMS

- Ethernet base T up to 10Gbits/s
- ISDN
- IEEE 802.3af/at/bt (PoE / PoE+/4PPoE)
- UL 1863
- IEC 60603-7-51

ENVIRONMENTAL PROPERTIES

OPERATING TEMPERATURE :

-25°C to +50°C

CONFORM TO :

RoHS and REACH

ELECTRICAL PROPERTIES

CURRENT:

1.5A

CONTACT RESISTANCE:

20mΩ

ISOLATION RESISTANCE :

500MΩ

DIELECTRIC WITHSTAND VOLTAGE :

1000Vac - 60Hz

OPERATING VOLTAGE :

48V

MECHANICAL / TECHNICAL PROPERTIES

COATING: PA 66 - Silicon rubber

INSERTION CYCLE: 750 cycles

SHIELDING : Zamac

CONTACTS : Bronze, platine Ni+Al 1.2μm

INSERTION FORCE : 30N

AWG ADMISSIBLE : 22-26 solid

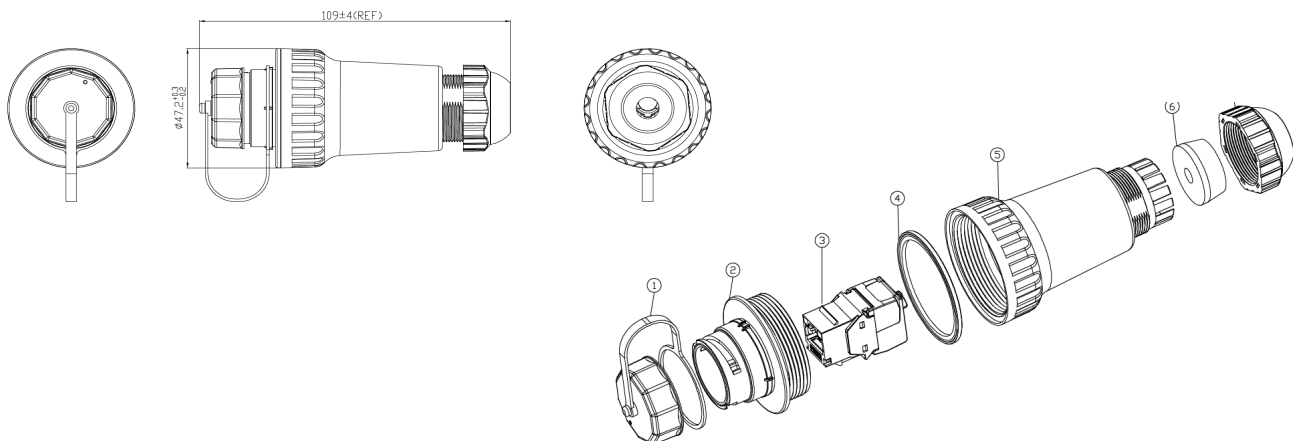
24-26 stranded

PERFORMANCE

SYSTEM
TIA 568-C.2 CAT6A
ISO 11801 Ed3 Classe Ea
EN 50173-1

APPLICATION
IEEE 802.3af/at/bt (PoE / PoE+/4PPoE)

DRAWINGS



ORDER INFORMATION

P/N	DESCRIPTION	PACKAGING
I4T6AFSIP68	IP68 CAT6A RJ45 field connector	Unit

ASSOCIATED PRODUCTS



I4PLUGIP68
IP68 RJ45 CAT6A plug



I4PLST6AFSI68
IP68 RJ45 CAT6A field plug