

I4USB3IP68

IP68 USB 3.0 PLUG

+ BENEFITS

- IP68 protection level suitable to harsh environments : dustproof & waterproof
- Connector USB 3.0
- 1/4 turn waterproof lock



IP 68



DESCRIPTION / APPLICATIONS

- USB 3.0 type-A plug suitable to harsh environments (industry, outdoor, ...)
- Allows waterproofing flexible links USB connection
- IP68 protection rating
- Toolless assembly
- Allowed external cable diameter : 4,5 - 6,5 mm
- Include 1.5 m of cable with its USB 3.0 plug

NORMS

- Universal Serial Bus 3.0 specification
- Plug USB Type-A

ENVIRONMENTAL PROPERTIES

OPERATING TEMPERATURE :

-25°C to +50°C

CONFORM TO:

RoHS and REACH

ELECTRICAL PROPERTIES

CURRENT :

25 mA

CONTACT RESISTANCE:

10 mΩ

INSULATION RESISTANCE:

100 MΩ

DIELECTRIC WITHSTAND VOLTAGE :

100V

WORKING VOLTAGE :

30V

MECHANICAL / TECHNICAL PROPERTIES

COATING:

Body : PA 66

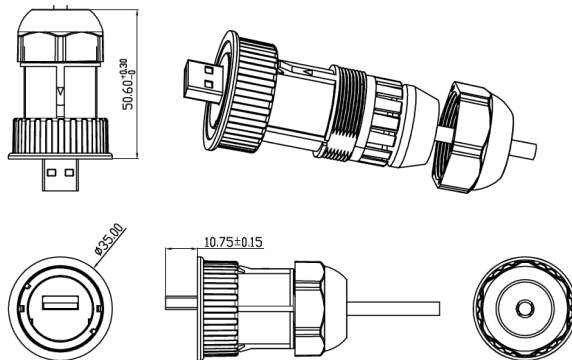
Connector : Alliage Zn+Ni

INSERTION CYCLE : 750 cycles

PERFORMANCES

SYSTEM	APPLICATION
USB 3.0 Type A	USB 3.0 up to 7.5GHz

DRAWINGS



ORDER INFORMATION

P/N	DESCRIPTION	PACKAGING
I4USB3IP68	IP68 USB 3.0 1.5m plug	Unit

ASSOCIATED PRODUCTS



I4COUPLUSBIP68
IP68 USB 3.0 coupler



I4CAPPLUG
Sealing cap for plug